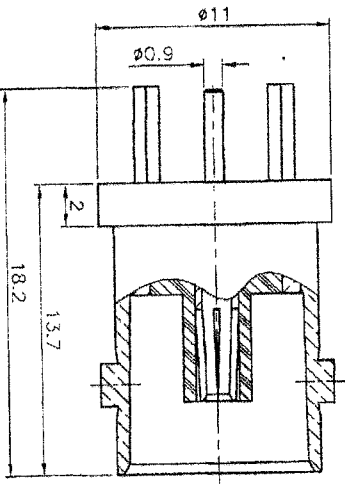
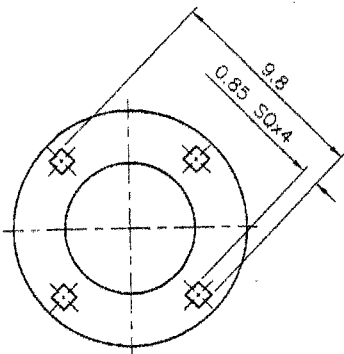
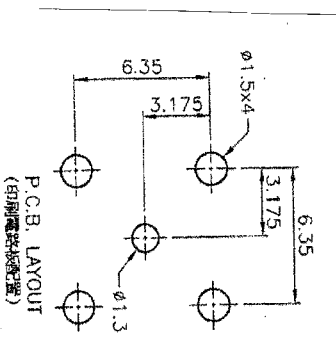


| Rev | AWO # | Description | Date | Appr |
|-----|-------|-------------|---------|------|
| - | | RELEASED | 8/18/05 | |

APPROVED: _____ TITLE: _____
 DATE: _____



ELECTRICAL SPECIFICATIONS:
 Voltage rating: AC 500V
 With standing voltage: AC 1,500V one minute
 Insulation resistance: 1,000MΩ/min at DC 500V
 Contact resistance: 3mΩ max at DC 1A
 Frequency range: 0-4GHz
 VSWR: 1.2 max 0-2GHz
 Impedance: 50 Ohm
 INTERFACE PER MIL-C-39012C

| | | |
|-------------|----------|--------|
| LOCK RING | BRASS | NICKEL |
| CONTACT PIN | BRASS | GOLD |
| BODY | BRASS | NICKEL |
| INSULATOR | TEFLON | WHITE |
| DESCRIPTION | MATERIAL | FINISH |

SPECIFICATIONS:
 Environmental:
 Lead free, RoHS compliant.
 Recommended soldering temp: 230° for 5 sec.



UNLESS OTHERWISE SPECIFIED
 ALL DIMENSIONS ARE MM [INCHES]
 TOLERANCES: EXCEPT AS NOTED
 INCHES
 X ±.10 ØX ±.10 HOLES
 XX ±.020 ØXX ±.015
 XXX ±.015 ØXXX ±.010

ADAM TECH
 909 Rahway Avenue, Union, NJ 07083
 Phone: 908-687-5000 Fax: 908-687-5710

BNC CONNECTOR PCB MOUNT 50 OHM

| | | | |
|----------|----|------|---------|
| DRAWN | SS | DATE | 8/18/05 |
| CHECKED | | | |
| APPROVED | | | |

| | | |
|--------|----------------|--------------|
| SIZE | PART NO. | REV. |
| X | RF1-07-1-00-50 | |
| SCALE: | NIS | SHEET 1 OF 1 |